

🐱 Cat Organizer Sewing Pattern – Complete Step-by-Step Tutorial



DENIM CAT HANGING POCKET

THREAD & NOTION ORGANIZER

SEWING & QUILT TUTORIAL – STEP BY STEP





FINISHED SIZE (APPROX.)



MATERIALS

- Denim fabric (medium weight)
- Lightweight fusible interfacing
- 100% cotton fabric (for pocket lining)
- Embroidery floss (various colors)
- Cotton rope (Ø 0.6 cm)
- Wooden branch (Ø 1–2 cm, length 30 cm)
- Wooden beads
- Tassels (x2)
- Sewing thread (neutral)
- Needle for hand sewing
- Embroidery needle
- Fabric glue (optional)
- Stuffing (small amount for ears)
- Scissors, pins, fabric marker
- Sewing machine

LEGEND – MAIN METHODS

- — — Straight stitch (machine)
- — — Backstitch (hand or machine)
- — — Running stitch (hand)
- — — Whip stitch (hand)
- — — Blanket stitch (hand)
- — — Appliqué stitch (hand)
- ⊙ French knot
- — — Topstitch (Machine)
-  Fusible interfacing
-  Right side fabric
-  Wrong side fabric

1. PATTERN & CUTTING (ALL MEASUREMENTS IN CM)



2. PREPARE THE CAT FACE



Embroider the eyes (French knot), nose (satin stitch), mouth (backstitch) and whiskers (straight stitch). Add a small amount of stuffing inside the ears.

3. ASSEMBLE THE EARS



Place right sides together. Sew around leaving the bottom open. Turn right side out and press. Repeat.

4. ATTACH EARS



Position ears on the head as shown. Baste and topstitch around the edges.

5. POCKET PREPARATION



Use a jeans pocket or make one with the given pattern. Reinforce the top edge with topstitch.

6. POCKET LINING



Place lining and pocket right sides together. Sew around the sides and bottom. Turn and press.

7. ATTACH POCKET



Center the pocket on the body piece. Topstitch the sides and bottom.

8. ASSEMBLE BODY



Place front and back body pieces right sides together. Sew around the edges, leaving the top open. Turn and press.

9. ADD TAIL



Insert rope tail at the side seam before closing completely. Knot the end.

10. SMALL BASKET (X2)



Sew side piece into a cylinder. Attach the bottom circle. Turn right side out and press.

11. DECORATE BASKETS



Embroider floral design on one and fishbone (or any design) on the other.

12. CONNECT BASKETS



Thread a rope through the bottom of the body and knot securely. Attach the basket.

13. PREPARE HANGER



Decorate the wooden branch with beads and wrap rope at the ends. Attach tassels. Make a hanging cord (length approx. 30 cm).

14. ATTACH TO HANGER



Tie two ropes to the top corners of the body. Hang from the branch as shown.

15. FINAL ASSEMBLY



Adjust all parts, trim threads and press. Your organizer is ready!

SEWING TIPS

- Use denim needle (90/14) for thick fabric.
- Press seams flat for a professional finish.
- Topstitch with contrast thread for a beautiful look.
- Reinforce stress points (ears, pocket top, rope holes).
- Hand stitching adds charm and durability.

HOW TO MAKE THE ROPE TAIL



QUILT INSPIRATION – OPTIONAL



Combine denim with cotton prints to make a quilt panel behind the pocket for a unique look!

CARE INSTRUCTIONS



Hand wash recommended Do not bleach Line dry Cool iron if needed

ENJOY YOUR HANDMADE CREATION!



Perfect for sewing rooms, craft spaces or as a handmade gift.

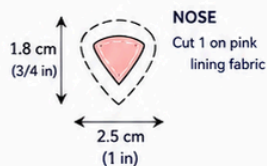
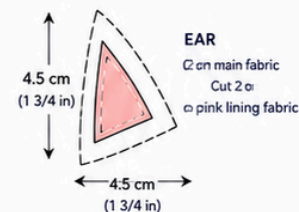
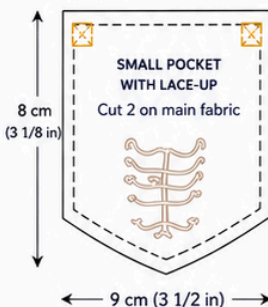
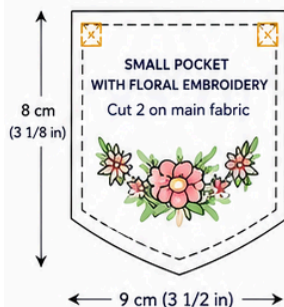
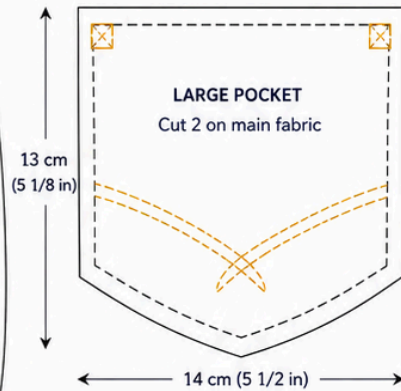
Made with love, for makers! ❤️

Create a charming **Cat Organizer Wall Hanging** from start to finish! This sewing project is perfect for storing scissors, thread spools, sewing notions, crochet hooks, embroidery supplies, or small craft accessories. **THE BEST PATTERNS:** + [HERE](#) 🙌❤️

CAT ORGANIZER

SEWING TEMPLATE WITH SEAM ALLOWANCE

Seam allowance: 1 cm (3/8 in)



LEGEND

- Cutting line
- - - Stitching line (seam allowance 1 cm / 3/8 in)
- - - Topstitching / Decorative stitching
- ☒ Reinforcement stitch

NOTES:

- Use 1 cm (3/8 in) seam allowance on all pieces.
- Transfer markings and embroidery before sewing.
- Reinforce the corners as indicated.
- Measurements may vary slightly.

SUGGESTED FABRICS

- Main fabric: Denim or medium weight cotton
- Lining: Tricot or cotton

MATERIALS

- Sewing thread and embroidery floss
- Lightweight fusible interfacing (optional)
- Cord or twine
- Scissors, needle, pins
- Buttons, beads or other decorations

SCALE TEST

3 cm

3 cm (1 3/16 in)

Measure the square on the side. If it is 3 cm (1 3/16 in), your scale is correct.

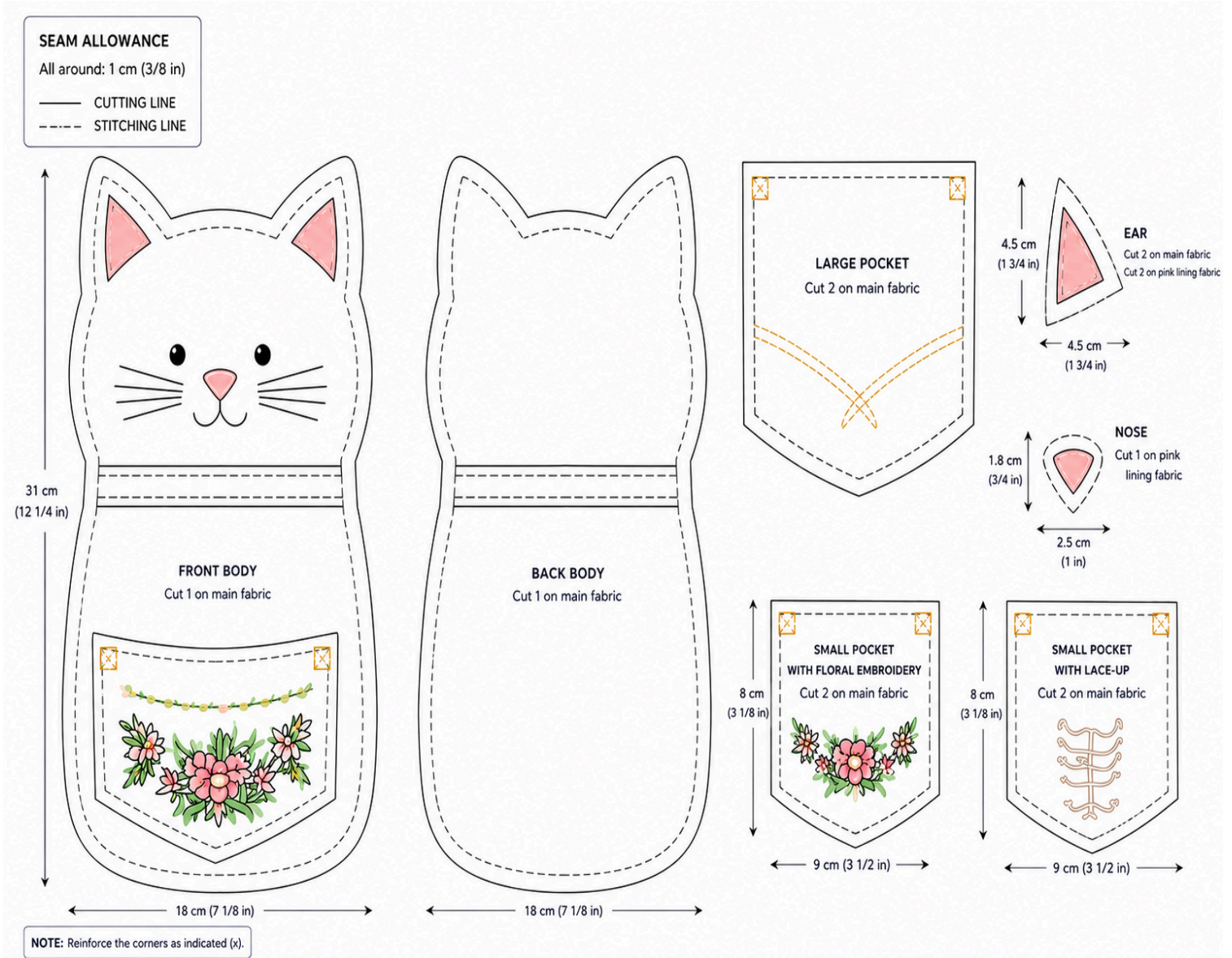
The finished organizer measures approximately **31 cm (12¼ in) tall × 18 cm (7⅞ in) wide** and includes a large front pocket and a hanging mini pouch.

THE BEST PATTERNS: + [HERE](#) 🙌❤️

Skill Level: **Beginner to Intermediate**

Finished Size: **31 cm × 18 cm (12¼ in × 7⅞ in)**

Seam Allowance: **1 cm (¾ in) included on all pattern pieces**



THE BEST PATTERNS: + [HERE](#) 🙌❤️

Materials and Supplies

You will need:

- Denim fabric or medium-weight cotton fabric
- Cotton lining fabric
- Lightweight fusible interfacing (optional)
- Matching sewing thread
- Embroidery floss (optional)
- Fabric scissors
- Pins or clips
- Sewing machine
- Iron and ironing board
- Hand sewing needle
- Decorative buttons or beads (optional)
- Cotton cord or rope for hanging
- Wooden driftwood branch or decorative dowel
- Measuring tape

THE BEST PATTERNS: [+](#) [HERE](#)  

Pattern Pieces Overview

Cut the following pieces:

Main Body

Front Body

- Cut 1 from main fabric

Back Body

- Cut 1 from main fabric

Ears

- Cut 2 outer ears from main fabric
- Cut 2 inner ears from pink fabric

Finished ear size:

- 4.5 cm × 4.5 cm (1¾ in × 1¾ in)

Nose

- Cut 1 from pink fabric

Finished size:

- 2.5 cm wide × 1.8 cm high
- (1 in × $\frac{3}{4}$ in)

THE BEST PATTERNS: [+](#) [HERE](#)  

Large Front Pocket

Cut:

- 2 pieces from main fabric

Finished size:

- 14 cm × 13 cm
- ($5\frac{1}{2}$ in × $5\frac{1}{8}$ in)

Mini Hanging Pocket

Choose one style:

Floral Pocket

- Cut 2 pieces

or

Lace-Up Pocket

- Cut 2 pieces

Finished size:

- 9 cm × 8 cm
- ($3\frac{1}{2}$ in × $3\frac{1}{8}$ in)

THE BEST PATTERNS: [+](#) [HERE](#)  

Step 1 – Prepare the Fabric

Wash and dry all fabrics before cutting.

Press thoroughly with an iron.

Apply lightweight interfacing to the back of the body pieces and pockets if additional stability is desired.

This helps the organizer maintain its shape after hanging on the wall.

THE BEST PATTERNS: + [HERE](#) 🙌♥

Step 2 – Cut All Pattern Pieces

Transfer all pattern markings.

Carefully cut:

- Front Body ×1
- Back Body ×1
- Ear Outer Pieces ×2
- Ear Linings ×2
- Nose ×1
- Large Pocket ×2
- Mini Pocket ×2

Mark all stitching lines and reinforcement corners.

Step 3 – Embroider the Decorative Pocket (Optional)

If creating the floral version:

Transfer the floral design to one pocket piece.

Use embroidery floss to stitch:

- Flowers
- Leaves
- Decorative garlands

Popular stitches include:

- Back Stitch
- Satin Stitch
- French Knots
- Lazy Daisy Stitch

Press from the wrong side after embroidery is completed.

THE BEST PATTERNS: + [HERE](#) 🙌♥

Step 4 – Create the Cat Face

Position the pink ear inserts onto the ear pieces.

Topstitch around each insert close to the edge.

Place the nose centered on the face.

Attach using:

- Satin stitch
- Zigzag stitch
- Appliqué stitch

Create the eyes using:

- Small buttons
- Safety eyes
- Embroidery

Embroider the whiskers and mouth using white and black embroidery floss.

Take your time during this step because the face gives the organizer its personality.

THE BEST PATTERNS: + [HERE](#) 🙌♥

Step 5 – Attach the Ears

Position both ears on the upper section of the Front Body piece.

Baste them in place within the seam allowance.

Check that both ears are symmetrical before stitching.

Step 6 – Construct the Large Pocket

Place the two large pocket pieces right sides together.

Sew around the sides and bottom using a 1 cm ($\frac{3}{8}$ in) seam allowance.

Leave the top edge open.

Trim corners.

Turn right side out.

Press flat.

Topstitch along the upper edge.

Step 7 – Add Decorative Topstitching

Using contrasting thread, sew decorative stitching lines on the pocket.

You may replicate the jean-pocket appearance shown in the sample by sewing a curved "V" design.

This creates an authentic denim look.

THE BEST PATTERNS: [+](#) [HERE](#)  

Step 8 – Attach the Large Pocket

Center the pocket on the Front Body.

Pin carefully.

Reinforce the upper corners.

Topstitch:

- Left side
- Bottom edge
- Right side

Leave the pocket opening free.

Backstitch several times at the upper corners for durability.

Step 9 – Create the Mini Hanging Pocket

Place the mini pocket pieces right sides together.

Sew around the sides and bottom.

Leave the top open.

Trim seam allowances.

Turn right side out.

Press thoroughly.

Topstitch the upper edge.

THE BEST PATTERNS: [+](#) [HERE](#)  

For the lace-up version:

Create small eyelets and thread decorative cord through the front.

For the floral version:

Add embroidery before assembly.

THE BEST PATTERNS: + [HERE](#) 🙌❤️

Step 10 – Assemble the Main Cat Body

Place Front Body and Back Body right sides together.

Ensure the ears are tucked inside.

Pin around the perimeter.

Sew around the entire body using the marked stitching line.

Leave a 7–10 cm (3–4 in) opening at the bottom for turning.

Clip curves carefully.

Do not cut through stitching.

Step 11 – Turn and Press

Turn the organizer right side out.

Push curves gently using a turning tool or chopstick.

Press all edges smooth.

Close the turning opening using:

- Ladder stitch by hand
- Or a narrow machine topstitch

THE BEST PATTERNS: + [HERE](#) 🙌❤️

Step 12 – Topstitch the Body

Topstitch approximately 3–5 mm from the outer edge around the entire organizer.

This:

- Improves appearance
- Strengthens seams
- Helps maintain shape

Step 13 – Create the Hanging System

THE BEST PATTERNS: + [HERE](#) 🙌♥

Cut a length of rope or cotton cord approximately:

- 50–60 cm (20–24 in)

Thread through the upper body channel.

Tie securely around a decorative driftwood branch or wooden dowel.

Add tassels at both ends as shown in the sample project.

Step 14 – Attach the Mini Pocket

Create a hanging cord approximately:

- 15–20 cm (6–8 in)

Attach the mini pocket to the bottom center of the cat organizer.

Secure with strong stitching.

The pocket should hang freely below the organizer.

Step 15 – Add Final Embellishments

Optional decorations include:

- Decorative buttons
- Wooden beads
- Lace trim
- Fabric flowers
- Charms
- Additional embroidery

Attach decorations securely.

Avoid adding bulky embellishments where tools will be stored.

THE BEST PATTERNS: + [HERE](#) 🙌♥

How to Use Your Cat Organizer

THE BEST PATTERNS: [+](#) [HERE](#)  

The large pocket is perfect for:

- Sewing scissors
- Rotary cutters
- Crochet hooks
- Thread spools
- Fabric markers
- Measuring tapes

The mini pocket can hold:

- Buttons
- Clips
- Needles
- Stitch markers
- Thimbles

Hang it beside your sewing machine, quilting station, crochet corner, or craft room wall.

Scale Check Before Cutting

Print the pattern at **100% actual size**.

Measure the test square.

It should be exactly:

3 cm × 3 cm (1³/₁₆ in × 1³/₁₆ in)

If the square measures correctly, the entire pattern is printed at the proper scale.

THE BEST PATTERNS: [+](#) [HERE](#)  

Finished Project

Once completed, you'll have a beautiful **Cat Organizer Wall Hanging** inspired by denim pocket designs. It combines practical storage with charming handmade décor and makes a wonderful gift for quilters, sewists, embroiderers, crocheters, and craft lovers.

The project is sturdy, beginner-friendly, and can easily be customized with different fabrics, colors, embroidery designs, and pocket styles to match your creative space. 